



Photocentric
CURE XL

**Fast post-curing
of large 3D
printed parts**

Photocentric



**Dual wavelengths
365 & 405nm**

Optimised evenly distributed dual wavelength light



**Heating function up to
60°C (140°F)**

Evenly distributed with smart fume extraction and inspection window



**Adjustable speed 360°
platform rotation**

Curing on-platform parts evenly



Interactive user interface

Optimised part-dependent curing process



**360° rotating lower
glass turntable**

Cure off-platform parts evenly

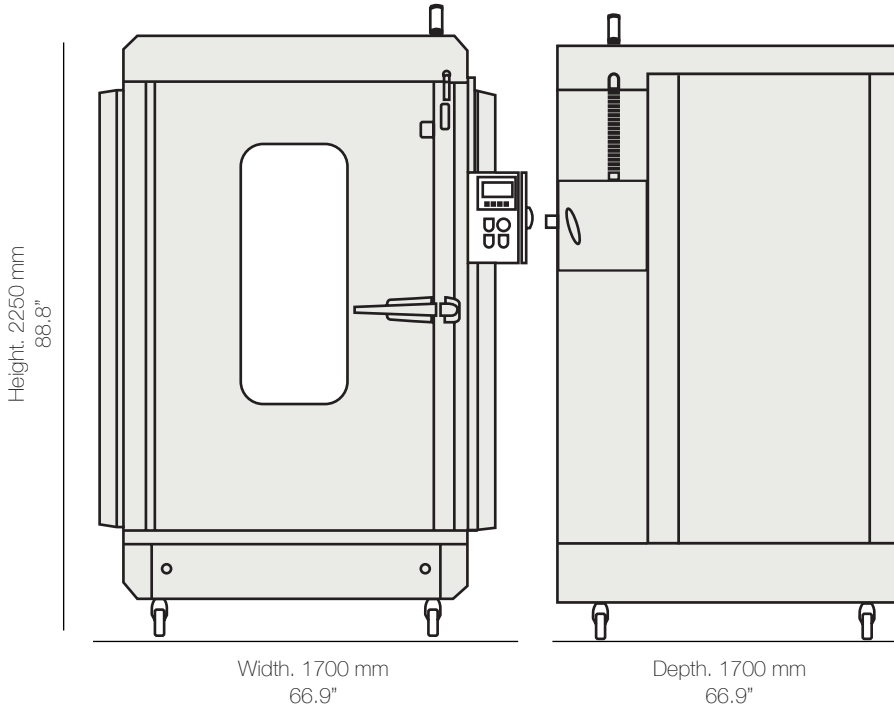


**Push fit and easy
clip platform**

Easy transfer of printed parts between printer, wash and cure units

Curing of large 3D printed parts with a combination of heat and dual wavelengths

The Photocentric Cure XL is designed to work with the Liquid Crystal Titan and the Photocentric Wash XL. The Cure XL offers uniform post-curing with dual wavelength curing, in conjunction with evenly distributed heat and 360° platform rotation, resulting in dimensionally accurate post-cured parts with tack-free surfaces.



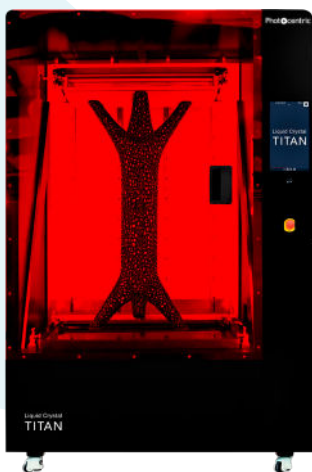
External Dimensions (WxDxH)	1700 x 1700 x 2250mm (66.9 x 66.9x 88.8")
Weight	800kg (1760lbs)
Active volume dimensions	900 x 900 x 1350mm (35.4 x 35.4 x 53.1")
Resin Compatibility	Daylight and UV resins
Maximum part weight	35 kg (77lbs)
Power consumption	7kW at peak
LED	Dual Wavelengths 365 & 405nm
Maximum Temperature	Adjustable up to 60°C (140°F)
Power input	32A Three Phase (415V)
Plug type	5 pin IEC60309
Accessories	Power cable
Warranty	12 months
Rotating circular glass table	900mm diameter



EXTENDED WARRANTY
AVAILABLE ON THIS PRODUCT

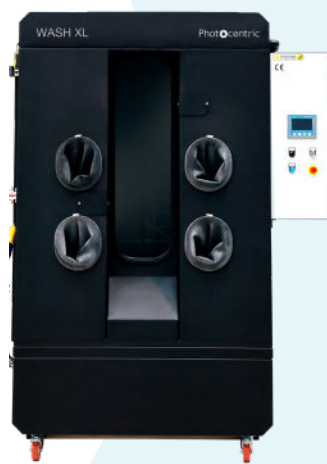
The optimised Titan cure solution

Delivering fast through-cure of large 3D printed parts



LC Titan

Large format LCD printer



Wash XL

Efficient cleaning of large 3D printed parts



VoxelDance

Support and laticing software for optimal large format printing



A full range of Daylight materials
with wide variety of properties



Platform Handler

Easy transfer of parts through process



Customer Support

Training, Consultancy and Service Packages